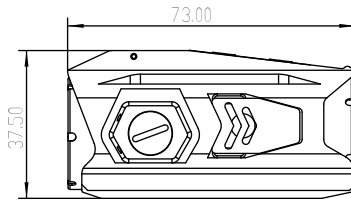
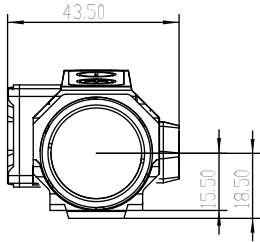


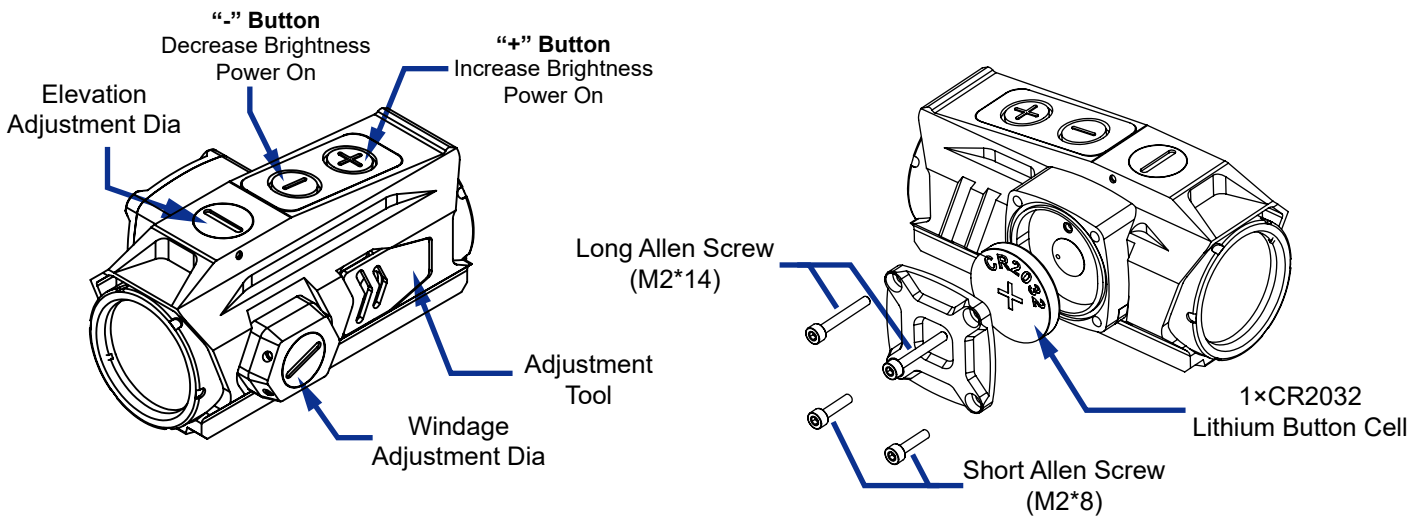
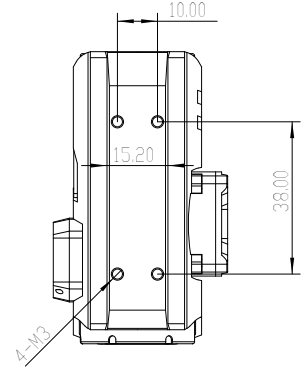
# PRODUCT MANUAL

## RED DOT DIMENSIONS



Dimensions measured in mm.

### Footprint



### Powering On & Off

To turn the device on, press either the "+" or "-" button.  
 To turn off, press both "+" and "-" button at the same time, the LED will blink three times and then turn off.

### Brightness Adjustment

The red dot provides 13 levels of visible brightness adjustment. Pressing the "+" or "-" button can adjust the illumination intensity. Press or hold the "+" button ("-") button) to increase (decrease) the brightness. The LED blinks one time after each brightness level changed. The LED does not blink if the device reaches the maximum (minimum) level of brightness.

### Battery Type

CR2032 button cell, 3 V, lithium battery.  
 (To prevent battery leakage, we strongly recommend removing the battery from the device when it will not be used for a long time.)

### Water Resistance

Product provides 10-meter Water resistance protection (do not operate the adjustment dia while device is submersed in water or wet).

## SPECS

Length x Width x Height	73 x 43.5 x 37.5 mm (2.87 x 1.71x 1.48 inch)
Reticle Color	Red
Illumination Source	LED
Adjustment	1 MOA Per Click
Shock Proof	Acceleration 1000g With 3.8Hz And 10 times
Housing Material	6061-T6 Aluminum
Weight (Gram) (Ounce)	185 g (6.5 oz.)
Power Source	1x CR2032 Button Cell

Magnification Stated	1x
Exit Pupil Dia.	23 mm
Parallax Setting	100 yds
Eye Relief	Unlimited
Windage Elevation (Up Down)	60 MOA - 60 MOA
Windage Elevation (Right Left)	60 MOA - 60 MOA
Type Of Reticle	2 MOA Dot
Brightness Setting	13DL